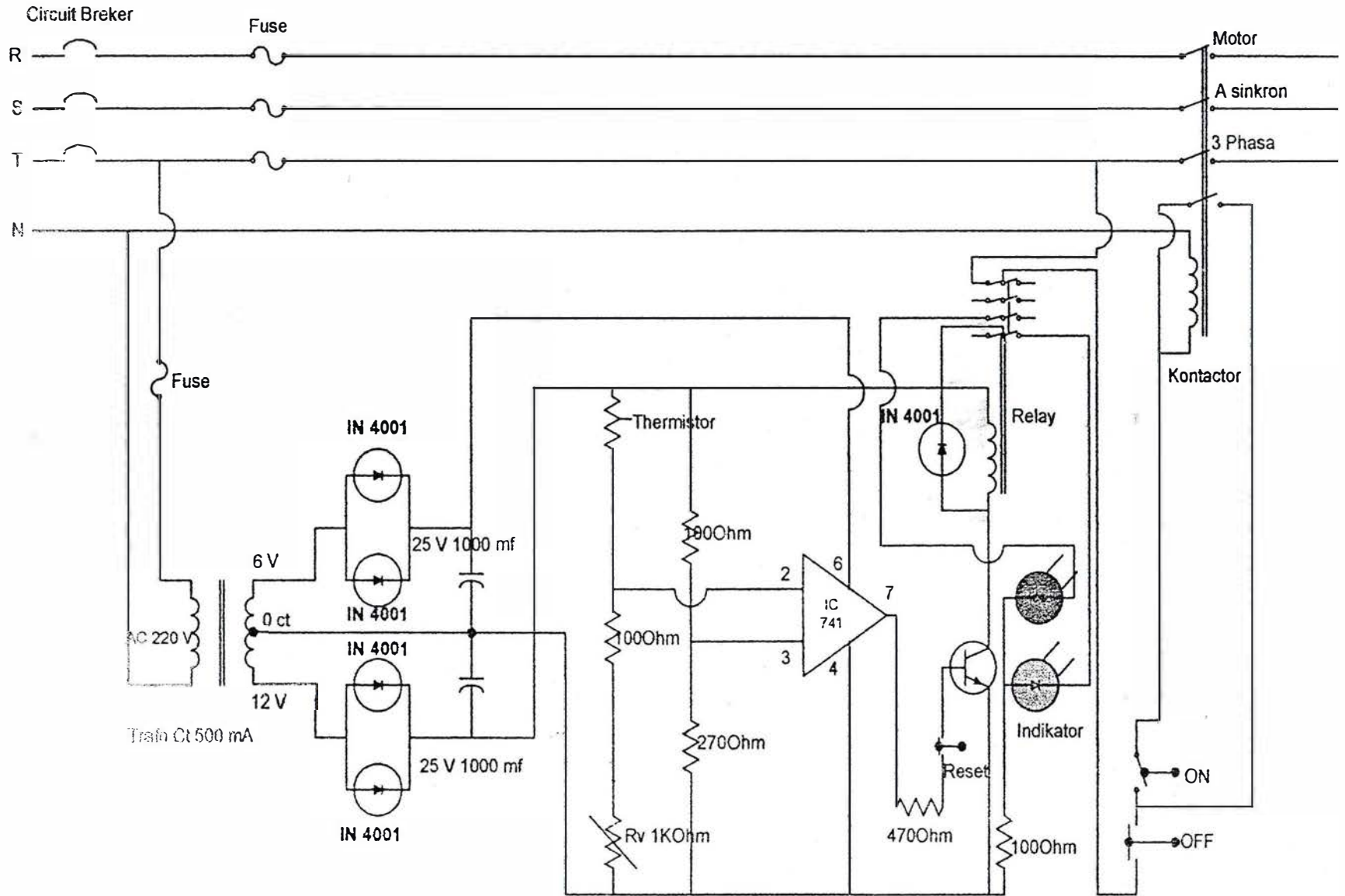


DAFTAR PUSTAKA

1. Alfred Still, Charles. S. Siskind, "*Elemen of Electrical Machine Designe*", Third Edition, McGraw-Hill, 1970.
2. Article 430, National Electrical Code 1971, National Fire Protection Association, Boston, Mass.
3. Beckwith, Thomas G., Buck, Lewis N., & Marangoni, Roy D., "*Mechanical Measurements*", third Editon, addiscen-Wesley publishing Company, 1981.
4. Cooper, William D., "*Instrumentasi Elektronik Dan Teknik Pengukuran*", Edisi ke-2, Penerbit Erlangga, 1985.
5. Kadir, Abdul. Prof. Ir., "*Mesin Takserempak*", Penerbit Djambatan, 1986.
6. Kostenko, M. & Poitroveky, L., "*Electrical Machines*", Vol. II, Peace Publisher, Moscow.
7. Kosow, Irving L. PhD., "*Control of Electrical Machines*", Prentice-Hall, Inc., Englewood Cliffs, New Kersey.
8. Matsch, Leader W. & Morgan, J. Derald, "*Electromagnetik and Electromechanical Machines*", Third Edition, Harper & Row, Publisher, New York, 1986.

9. Moore, Ralph L., "*Measurement Fundamentals*", Vol. I. Basis Instrumentation Lecture Notes and Study Guide, Third Edition, Instrument Society of America, 1982.
10. Morris, Noel M., "*Semiconductor Devices*", Macmillan Basis Books in Electronics.
11. Norton, Harry N., "*Sensor And Analyzer Handbook*".
12. Obenhaus, Robert E., "*Sensor Retrofitting of Motor for Protection Against Overtemperature*", IEEE Transaction on Industry Application.
13. Pillai, S.K., "*A First Course On Electrical Drives*".
14. Sheffer, K. W., Graham, Donald L., Obenhaus, Robert E., "*Application of inherent Thermal Protection to Industrial Motor Systems*", IEEE Transaction on Industry Application.
15. Soelaiman, T.M. Prof. & Magarisawa Mabuchi, "*Mesin Tak Serempak Dalam Praktek*", PT. Pradya Paramita Jakarta, 1984.



RANGKAIAN KONTROL SENSOR PANAS